

# Data Sheet



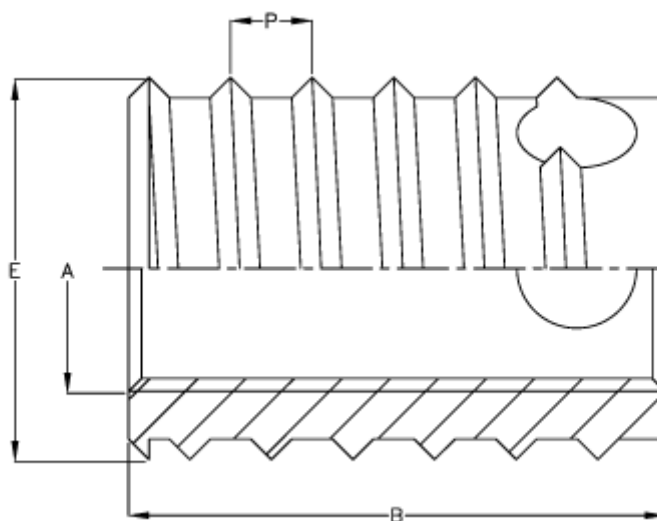
Article number: 12307000040110

Description: KLEE-coil 307 000 040.100  
M4 Hardened/zinc-plated blue

Note: Hardened/zinc-plated yellow No. 12307000040160 replaced by this

## Measures

---



Female thread A	= M4
Length B	= 6
Male thread E	= 6.5
Min hole depth blind hole	= 8
Thread pitch P	= 0.80
Type	= 307 000 040...